



General Information

GENERAL INFORMATION

SERVICE MANUAL INTRODUCTION

This technical service manual information assists with troubleshooting and diagnosing malfunctions, completion of repairs, and return of the product to proper operational condition. Read the complete instructions contained within before initiating any repairs.

This guide is intended for use by Factory Certified Service. Wolf Appliance, Inc. recommends that repairs be performed by Factory Certified Service only.

Warning and Caution product safety labels appear throughout this manual. Product safety labels appear at the beginning of some sections. Follow the instructions in the product safety labels to avoid personal injury and/or product damage. The sample safety labels explain the types of notices that appear in this manual.

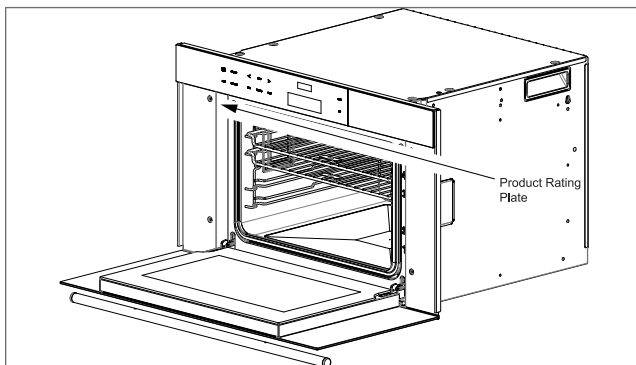
⚠ WARNING
States a hazard that may cause serious injury or death if precautions are not followed.

⚠ CAUTION
Indicates minor injury or product damage may occur if instructions are not followed.

IMPORTANT NOTE: Highlights especially important information.
TIP: Indicates additional, useful information.
 Information and images contained herein are copyright of Wolf Appliance, Inc. Neither this manual nor any information or images contained herein may be copied or used in whole or in part without the express written consent of Wolf Appliance, Inc. © Wolf Appliance, Inc., all rights reserved.

WOLF PRODUCT RATING PLATE INFORMATION

On the CSO, the rating plate with the serial number is located on the left hand side trim inside the door.



Important information for each product is listed on the product rating plate. Rating plates identify:

- Model
- Serial number
- Electrical information, including current draw



MODEL DESCRIPTIONS AND SALES ACCESSORIES

For more details on individual model descriptions and a listing of all compatible sales accessories, see the [Sub-Zero Distributor Price List](#).

CSO MODEL KEY

Description	Model Character
Convection Steam Oven	CSO
Nominal Width	24" and 30"
Trim Style T	Transitional
Trim Style P	Professional
Trim Style C	Contemporary
Matching Oven Trim E	E Series Ovens
Matching Oven Trim M	M Series Ovens
Metal Type	/S for Stainless Steel
Metal Type	/B for Black
Stainless Steel Handle Style	/TH for Tubular Handles /PH for Professional Handles
International Designation	ICB

PRODUCT USE AND CARE AND INSTALLATION GUIDES

Product Use and Care Guides, Installation Guides, and other product specifications are available in the [Product Specifications and Manuals Library](#).