

DOWNDRAFT DIMENSIONS

⚠ CAUTION

TO REDUCE THE RISK OF FIRE AND ELECTRIC SHOCK, THIS VENTILATION HOOD SHOULD ONLY BE INSTALLED WITH BLOWERS MANUFACTURED BY WOLF APPLIANCE INC. AND SPECIFIED FOR USE WITH THESE VENTILATION MODELS.

NOTE: Wolf downdraft ventilation systems are recommended for use with Wolf framed electric, gas, induction and multi-function cooktops. They cannot be used with unframed electric cooktops and are not recommended for use with the electric grill, steamer and fryer modules. A Pro ventilation hood must be used with Wolf dual fuel ranges, gas ranges and rangetops.

Wolf downdraft ventilation systems are available in 30" (762), 36" (914) and 45-1/2"(1156) widths. The downdraft should be at least as wide as the cooktop. Models DD30I, DD36I and DD45I include a 500CFM internal blower. Models DD30R, DD36R and DD45R are shipped without a blower assembly.

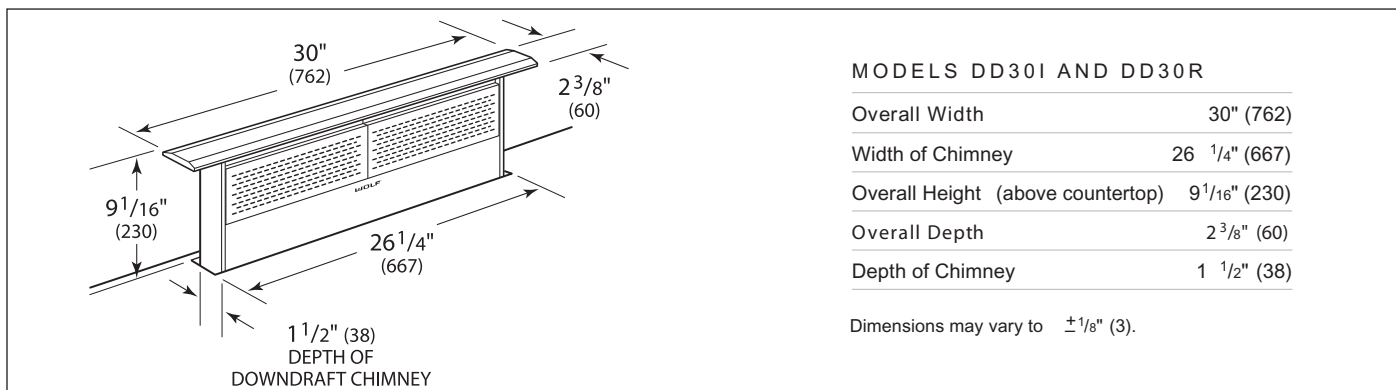


Figure 2-20 Models DD30I & DD30R

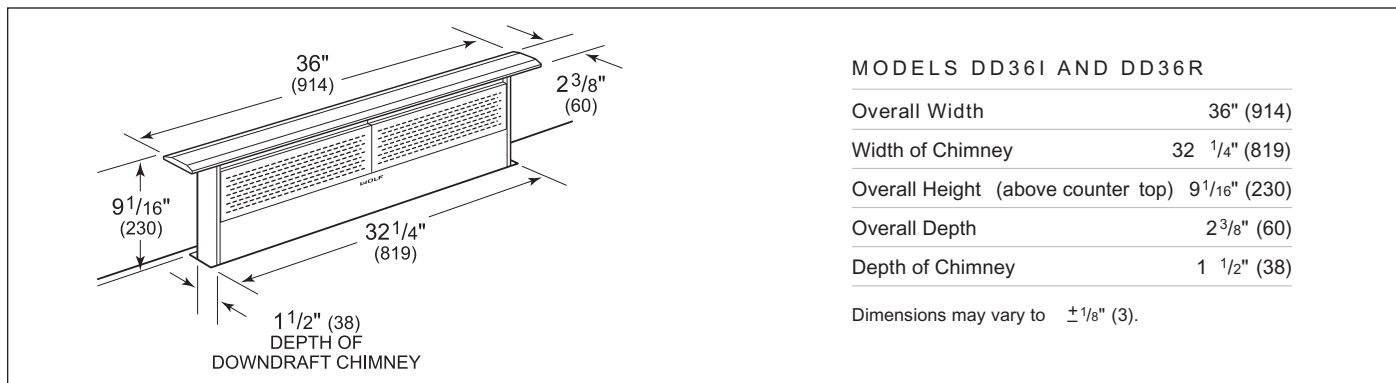


Figure 2-21 Models DD36I & DD36R

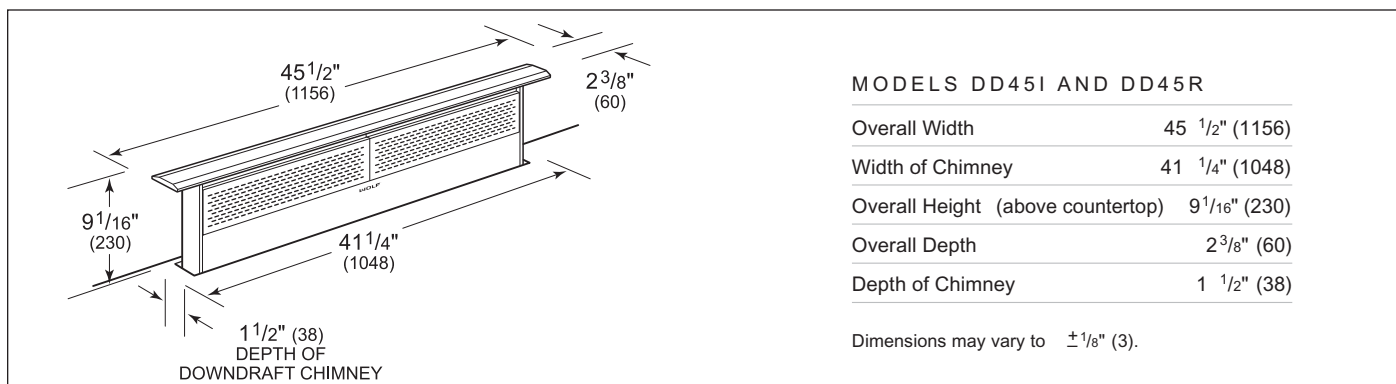


Figure 2-22 Models DD45I & DD45R