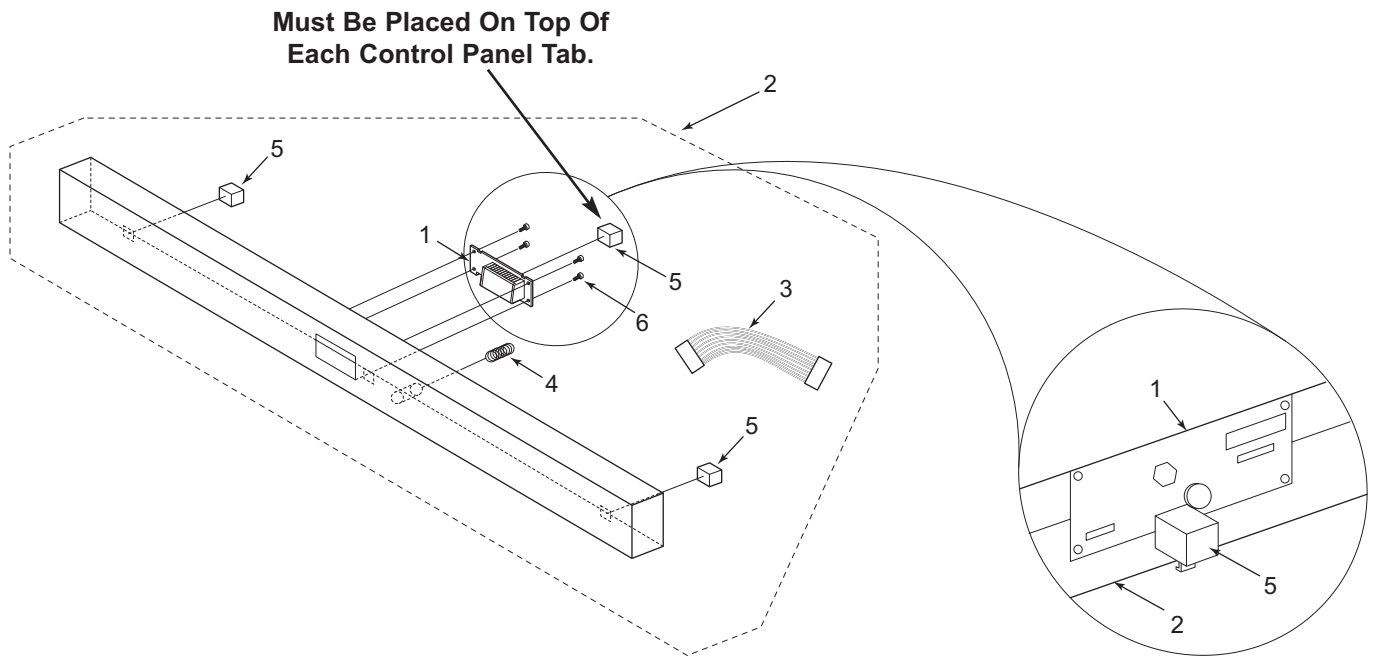


MD Microwave Drawers Parts Manual

MD24TE/S, MD30TE/S & MD30PE/S.....2

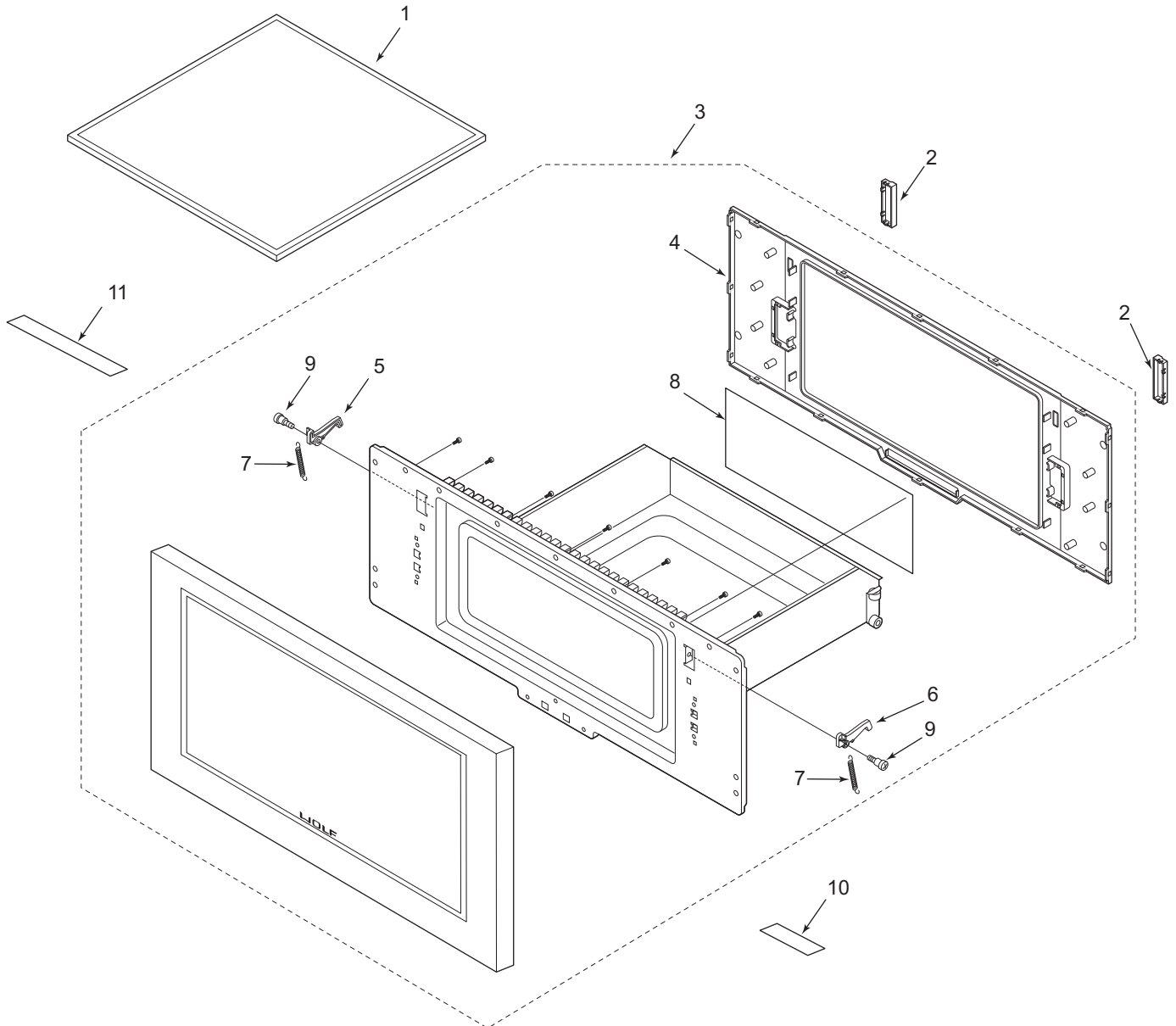
MD-24TE/S, MD-30TE/S & MD30PE/S CONTROL PANEL VIEW



MD24TE/S, MD30TE/S & MD30PE/S - Control Panel Parts

Position	Item	Description
1	824139	CPU - DRAWER, SVCE
	830014	BOARD,DSPL,UNIT,MD,SVCE
2	828266	PANEL,CONTROL,ASSY,24,SVCE
	828267	PANEL,CONTROL,ASSY,30,SVCE
	828279	PANEL,CONTROL,ASSY,24,SVCE
	828280	PANEL,CONTROL,ASSY,30,SVCE
	830074	PANEL ASSY,CONT,MD24,SVCE
	831474	PANEL,ASSY,CONT,MD24,SVCE
	831475	PANEL,ASSY,CONT,MD30,SVCE
	831689	BOARD,CONT,PWR,MD30,KIT,SVCE
3	824145	DISPLAY HARNESS - SVCE
4	824147	GROUND SPRING - SVCE
5	824149	CONTROL PANEL CUSHION - SVCE
6	824151	M3X10 SCREW STEEL P-TIGHT-SVCE

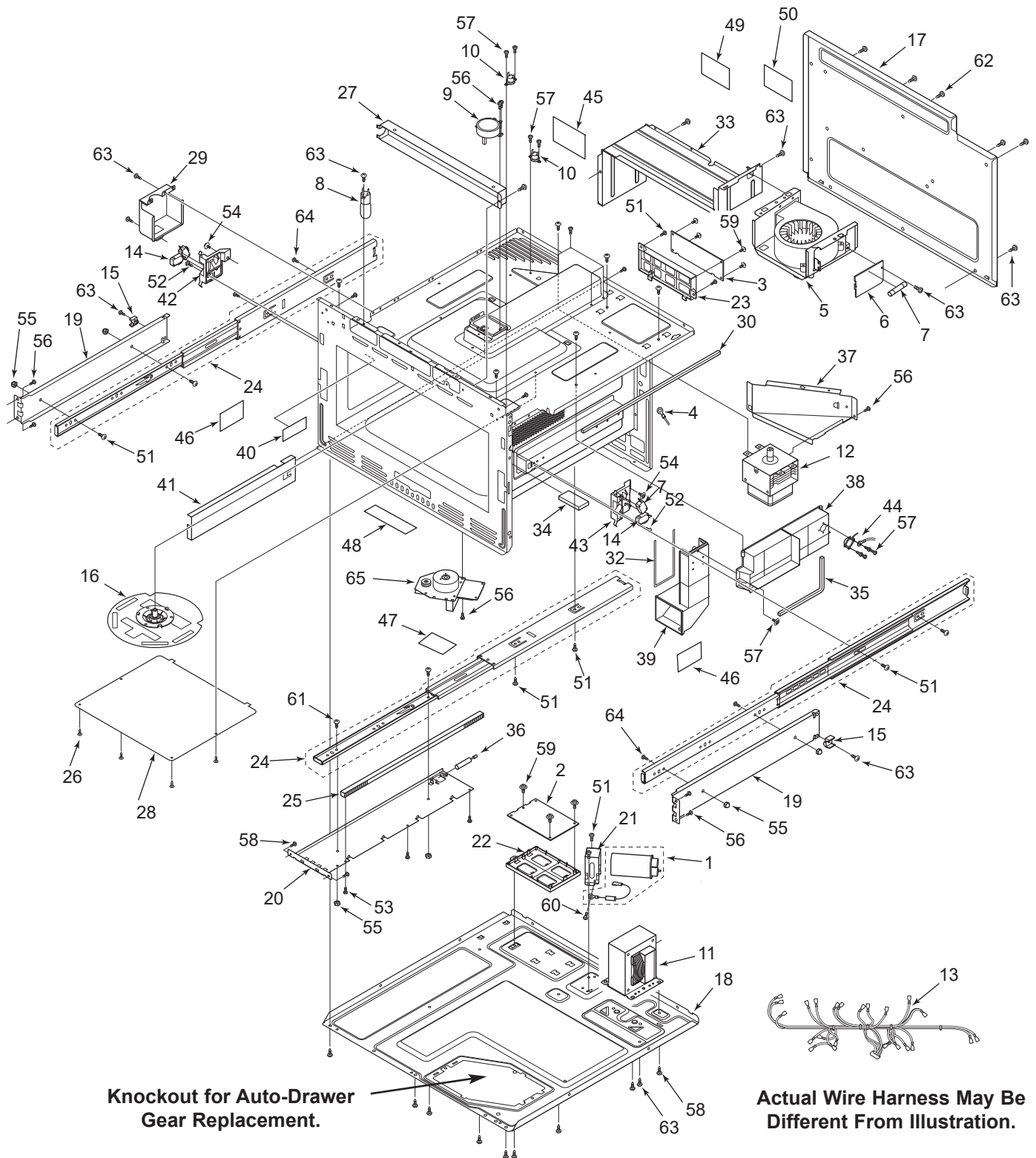
MD-24TE/S, MD-30TE/S & MD30PE/S DRAWER VIEW



MD24TE/S, MD30TE/S & MD30PE/S - Drawer Parts

Position	Item	Description
1	824155	OVEN TRAY ASSEMBLY - SVCE
2	824161	DOOR SUPPORT COVER - SVCE
3	824215	DOOR ASSEMBLY, 24 - SVCE
	824217	DOOR ASSY, 30 PRO - SVCE
	824219	DOOR ASSY, 30 TRANS - SVCE
	828745	DOOR ASSY,MD24TE,SVCE
	828746	DOOR ASSY,MD30TE,SVCE
	828747	DOOR ASSY,MD30PE,SVCE
	828806	DRAWER ASSY,MICRO,SVCE
4	824221	CHOKE COVER, 24 - SVCE
	824223	CHOKE COVER, 30 - SVCE
5	824227	LATCH HEAD LEFT - SVCE
6	824225	LATCH HEAD RIGHT - SVCE
7	830500	KIT,DWR,LATCH,SVCE
8	824231	SEALER FILM - SVCE
9	824233	SPECIAL SCREW - SVCE
10	824241	CONSUMER WARNING LABEL - SVCE
11	824247	MENU LABEL - SVCE

MD-24TE/S, MD-30TE/S & MD30PE/S DRAWER CAVITY VIEW



MD24TE/S, MD30TE/S & MD30PE/S - Drawer Cavity Parts

Position	Item	Description
PNP	824189	HVT CUSHION - SVCE
	824235	WOOD SCREWM4X20PANHEAD-SVCE
	825955	FOOT-SVCE
1	823991	HV CAPACITOR ASSY-SVCE
	828791	HV CAPACITOR ASSY,SVCE
2	823993	PSU - DRAWER - SVCE
	828124	PWR,SUPPLY,UNIT,MD,SVCE
	828792	PSU,DRAWER,SVCE
3	830013	BOARD,CONT,PWR,MD,SVCE
	823995	SW PSU - DRAWER -SVCE
4	823997	POWER SUPPLY CORD - SVCE
5	824101	FAN MOTOR ASSEMBLY - SVCE
	829197	MOTOR,FAN,ASSY ,SVCE
6	813763	NOISE FILTER UNIT, SVCE
7	813742	MONITOR SWITCH FUSE ASSY, SVCE
8	813764	OVEN LAMP SOCKET, SVCE
9	824109	STIRRER MOTOR - SVCE
	828793	MOTOR,STIRRER,SVCE
10	813755	TERMAL CUT-OUT, SVCE
11	824113	MD TRANSFORMER - SVCE
12	813740	MAGNETRON, SVCE
	828794	MAGNETRON,SVCE
13	824117	DRAWER HARNESS - SVCE
14	825082	SWITCH,PRIM INTERLOCK-SVCE
15	824153	DOOR STOPPER - SVCE
16	824157	ANTENNA ASSEMBLY - SVCE
	828795	ANTENNA ASSY,SVCE
17	824159	BACKPLATE - SVCE
18	824163	BASE PLATE - SVCE
19	824165	DOOR SUPPORT ANGLE A - SVCE
	830006	SUPPORT,DOOR,SVCE
20	824167	DOOR SUPPORT ANGLE B - SVCE
21	824169	HV CAPACITOR BAND - SVCE
22	824171	PSU HOLDER - SVCE
23	824173	SW PSU HOLDER - SVCE
24	824175	SLIDE RAIL -SVCE
	830010	RAIL,SL,SVCE
25	824177	RACK GEAR - SVCE
26	824179	CANOE CLIP - SVCE
27	824181	CONTROL PANEL REAR COVER-SVCE
28	824183	ANTENNA COVER - SVCE
	828796	CAP,ANTENNA,SVCE
29	824185	OVEN LAMP COVER - SVCE
30	824187	INLET CUSHION - SVCE
31	824189	HVT CUSHION - SVCE
32	824191	EXHAUST DUCT CUSHION - SVCE
33	824193	PARTITION AG REAR - SVCE
34	824195	AIR FLOW CUSHION - SVCE
35	824197	CUSHION - SVCE
36	824199	OIL DAMPER - SVCE
37	824201	MAG DUCT - SVCE
38	824203	SENSOR DUCT - SVCE
39	824205	EXHAUST DUCT - SVCE

Position	Item	Description
40	824207	LAMP FILTER - SVCE
41	824209	PARTITION AG BOTTOM - SVCE
42	824211	LATCH HOOK, LEFT - SVCE
43	824213	LATCH HOOK, RIGHT - SVCE
44	823999	SENSOR ASSEMBLY - SVCE
45	824237	DHHS,GRD,CAUTION LABEL - SVCE
46	824239	MONITOR CAUTION LABEL - SVCE
47	824243	USER CAUTION LABEL - SVCE
48	824245	WAVEGUIDE COVER CLEANING-SVCE
49	824251	USER CAUTION FRENCH LABEL-SVCE
50	824253	NHW CAUTION LABEL - SVCE
53	818974	SCREW, WITH WASHER, MICRO-SVCE
	824257	SCREW - SVCE
54	824261	SCREW WITH WASHER, ZA10-SVCE
55	824263	CAP NUT -SVCE
56	824265	SCREW - SVCE
57	824267	M3X8 SCREW-TAP BINDING-SVCE
58	824269	M4X12 SCREW - COMMON - SVCE
59	824271	M3X10 SCREW - STEEL - SVCE
60	824273	SCREW: 4MMX8MM - SVCE
61	824275	SCREW BZA 217 - SVCE
62	824277	M4X8 SCREW - T TAP TRUSS-SVCE
63	824279	CABINET SCREW,CLEAR ROHS-SVCE
64	824281	SPECIAL SCREW - SVCE
65	824121	AUTO DRAWER GEAR ASSY - SVCE

MD24TE/S, MD30TE/S & MD30PE/S - Cabinet Parts

Position	Item	Description
1	823997	POWER SUPPLY CORD - SVCE
2	824123	OUTER CASE CABINET - SVCE
3	824125	AC CORD MOUNT ANGLE - SVCE
4	824127	SIDE ANGLE, 24 LEFT - SVCE
5	824129	SIDE ANGLE, 24 RIGHT - SVCE
6	824131	SIDE ANGLE, 30 LEFT - SVCE
7	824133	SIDE ANGLE, 30 RIGHT - SVCE
8	824135	CORD BUSHING - SVCE
9	824137	LATCH COVER PLATE - SVCE
10	824249	SCHEMATIC DIAGRAM - SVCE
11	824269	M4X12 SCREW - COMMON - SVCE
12	824279	CABINET SCREW,CLEAR ROHS-SVCE